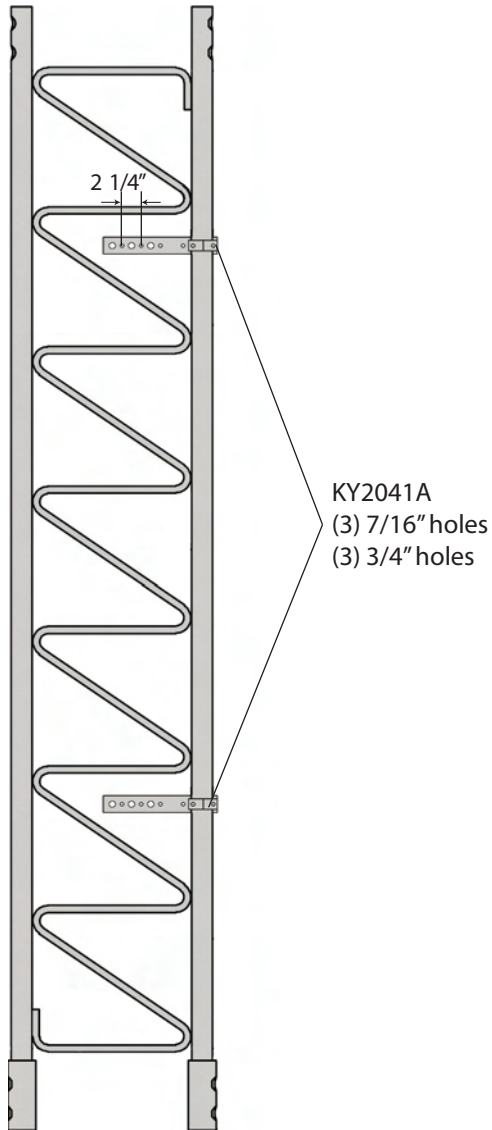


WAVEGUIDE BRACKETS 3-HOLE



Waveguide Bracket Elevation

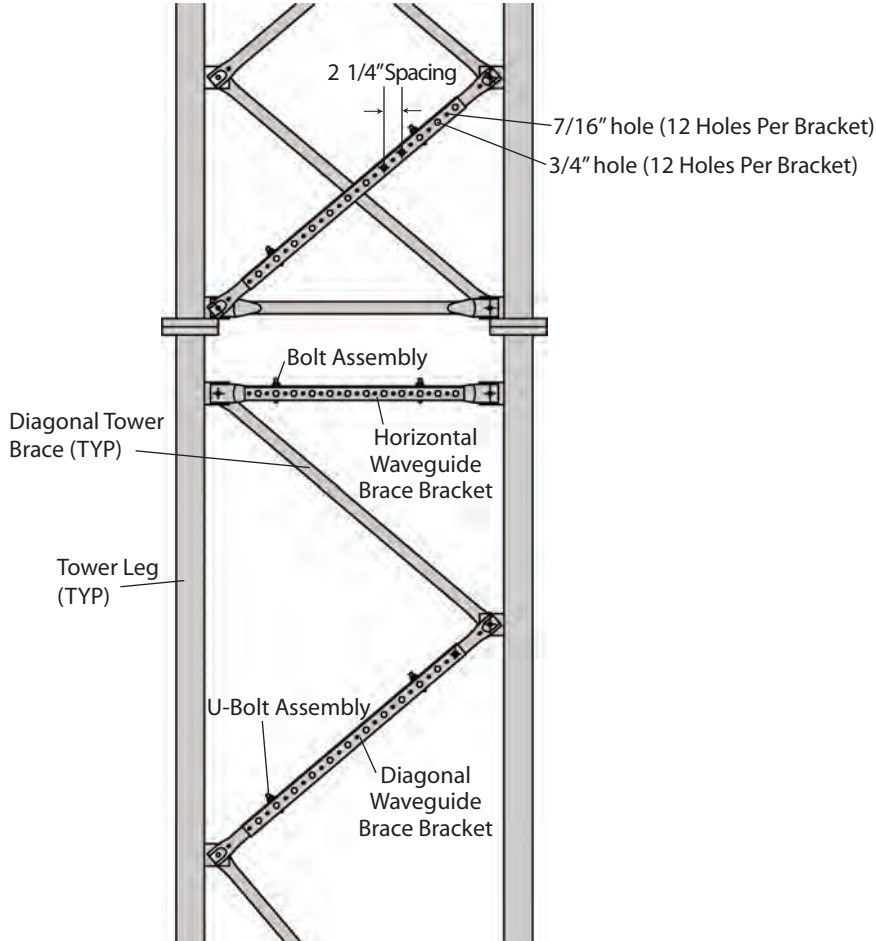
ORDERING INFORMATION

KY2041A

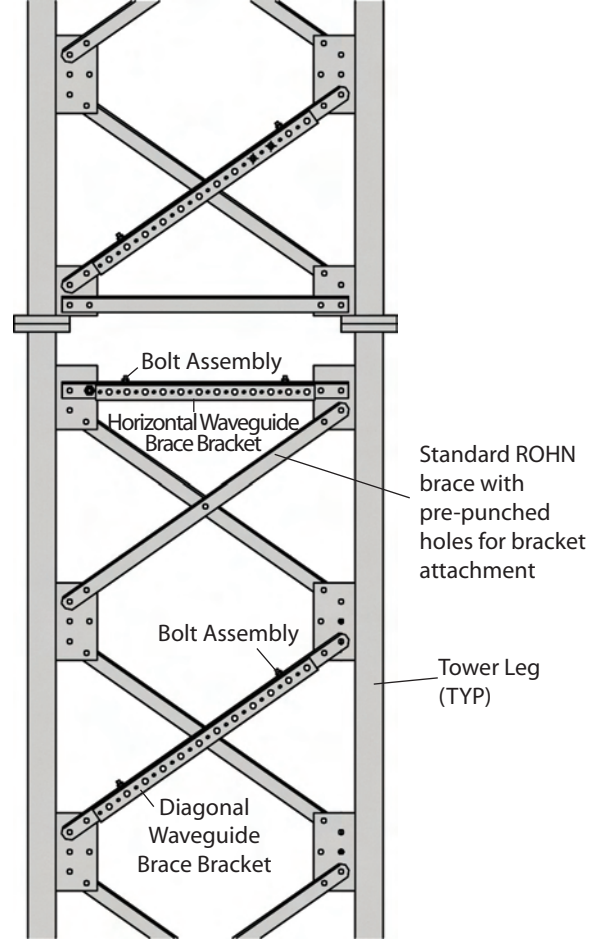
Notes:

1. Kit includes (1) bracket with required mounting hardware.
2. Assembly used for mounting to 3/4" - 2 1/4" O.D. legs.
3. (5) KY2041A required per 20' of tower for 4' O.C. spacing.

WAVEGUIDE BRACKETS 8-HOLE (80 SERIES)



Tubular Bracing
1 1/2" Diameter



Angle Bracing
1 3/4" x 3/16"
2" x 1/4"

ORDERING INFORMATION

WAF801211
(Horizontals)
Order 1 per 15' or 20' section

WAF801212
(Diagonals)
Order 3 per 15' section
Order 4 per 20' section

ORDERING INFORMATION

WAF801213
(Horizontals)
Order 1 per 15' or 20' section

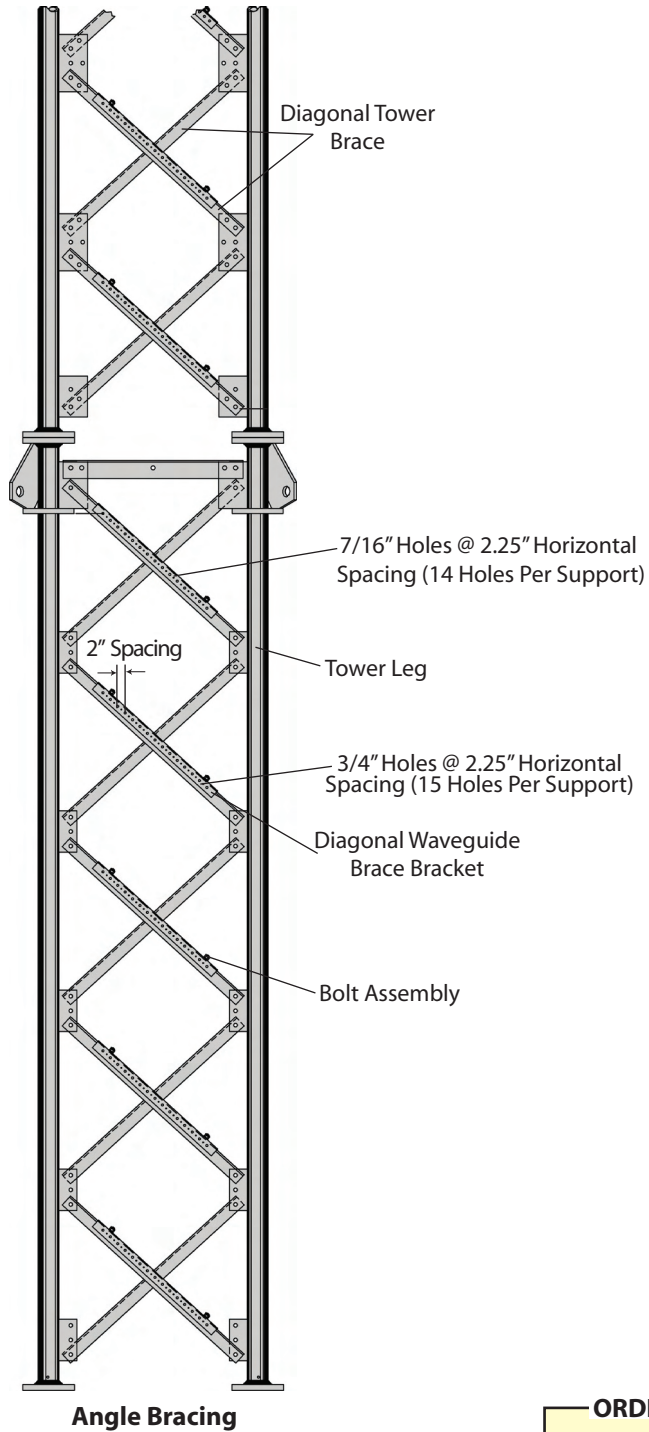
WAF801214
(2" Diagonals)
Order 3 per 15' section
Order 4 per 20' section

WAF801215
(1 3/4" Diagonals)
Order 3 per 15' section
Order 4 per 20' section

NOTE: These assemblies may be mounted on the inside or outside face of the tower.



WAVEGUIDE BRACKETS 15-HOLE (90 SERIES)



ORDERING INFORMATION

WAF901521
Angle Waveguide Support
& Bolt Assembly

Order (1) assembly part number WAF901521 for each diagonal brace bay that waveguides cross in a section. (Ex. (5) WAF901521 for a 20' tower section, (3) WAF901521 for a 12' tower section, etc.). This assembly may be mounted on outside of tower as shown or on inside as required.